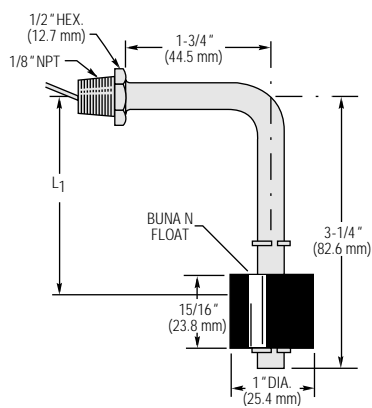


LS-77700 Series – Bent Stem Switches Provide Greatest Buoyancy Of Any Side Mount Version

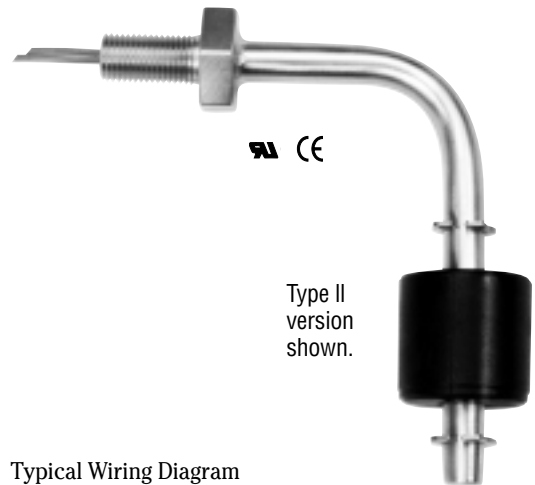
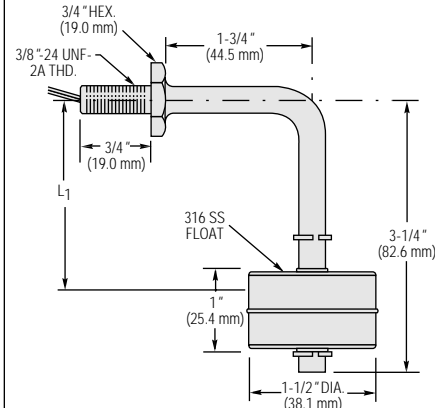
These units perform in liquids with specific gravities as low as .45; switches protrude into tank less than 3 inches.

Dimensions

Type I – 1/8" NPT



Type II – 3/8-24" Thread



Type II version shown.

Typical Wiring Diagram



When mounted "stem up," units are N.C. dry.

L₁ Dimension (based on liquid specific gravity of 1.0):

Buna N Float: 2-3/8" (60.3 mm) ± 3/16"

Stainless Steel Float: 2" (50.8 mm) ± 3/16"

Common Specifications

Electrical Termination: No. 22 AWG, 24" L., Teflon® Lead Wires

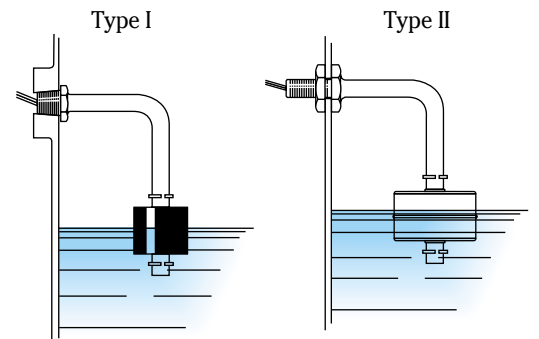
Approvals: U.L. Recognized – File No. E45168

Switch* SPST: 20 VA, 120-240 VAC. Switch is N.O. (Dry), but available N.C. (Dry).

Mounting Attitude: Vertical ± 30°.

Other Wetted Materials: Float Stop is Beryllium, Copper, or PH-15-7-MO Stainless Steel.

Typical Installation



Shown with Buna N float. Threads into NPT boss.

Shown with stainless steel float. Mounts directly through tank wall.

How To Order – Select Part Number based on specifications required.

Materials						
Type	Stem and Mounting	Float	Min. Liquid Sp. Gr.	Operating Temperature	Pressure, PSI, Max.	Part Number
I	Brass	316 Stainless Steel	.70	-40° F to +300° F (-40° C to 148.9° C)	100	117711
	316 Stainless					117712 ⚡
	Brass	Buna N	.45	Water: to 180° F (82.2° C) Oil: -40° F to +230° F (-40° C to +110° C)	150	118125 ⚡
	Stainless Steel					118126
II	Brass	316 Stainless Steel	.70	-40° F to +300° F (-40° C to 148.9° C)	100	117715
	316 Stainless					117716 ⚡
	Brass	Buna N	.45	Water: to 180° F (82.2° C) Oil: -40° F to +230° F (-40° C to +110° C)	150	118127 ⚡
	Stainless Steel					118128

*See "Electrical Data" on Page A-4 for more information.

⚡ – Stock Items.